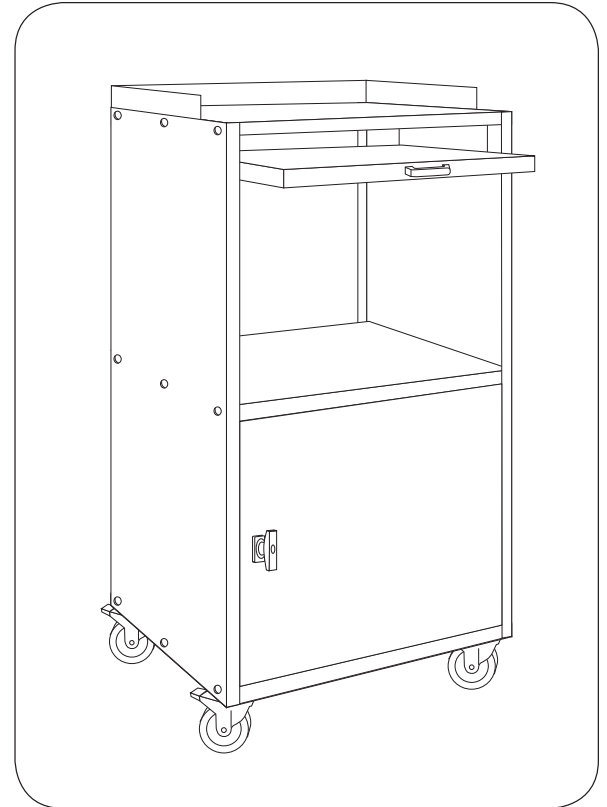
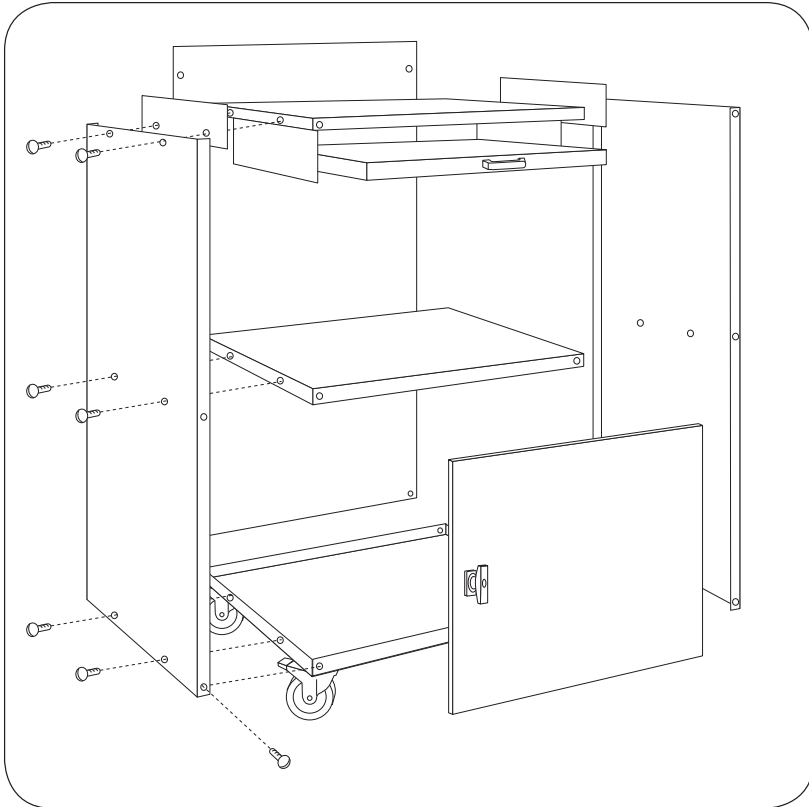




Assembly Instructions

Computer Cabinet



Assembly of Stackbin Computer Cabinet.

This assembly may require two people. Begin by identifying the two sides of the cabinet, the right side is the one that has the door hinges, these should be to the front. Next step is to identify the back panel, this is the largest piece of all. The top of this panel is the side that has the holes set down about 3 inches from the top. Fasten the back panel to the two sides using truss bolts, washers and nuts provided with the back panel to the outside of the back flaps. *Note: There should be no washer between the head of the truss bolt and the steel. Washers are only for use between the back of the steel and the nuts.* The next step is to attach the base of the unit. This is the shelf that has 16 holes in the base to receive the casters. Fasten the base to the sides and back using truss bolts, washers and nuts with the sides to the outside of the base. Now you can continue by attaching the middle shelf. The middle shelf is the one that is plain. Attach this using truss bolts, washers and nuts. Next you must attach the

top shelf and pull-out keyboard tray combination. This is attached to the top of the unit with the keyboard tray facing downward. The tricky part to this part of the assembly is the side plates which must be sandwiched between the top shelf and the sides with the holes aligned. Fasten using truss bolts, washers and nuts. Before you tighten all fasteners completely, make sure that the unit is square, then tighten all fasteners. To attach the casters, lay the unit on its back and align holes on base with holes on four casters and fasten using hardware provided. Place the unit right side up and attach the door. To do this you must align the hinges on the door with the receiving hinges on the unit with the door folds facing to the inside of the cabinet. To attach the hinges, slide provided pins into the hinge sleeve. The final step is to attach the handle for the pull-out keyboard tray and the handle for the front door.