

# UNDERSTRUCTURE ASSEMBLY

## MOUNTING LEGS TO 96" ECONO-TOPS

- PARTS:**  
 (2) 48" Tops  
 (3) Legs  
 (2) Stringers

**HARDWARE REQUIRED:**



4 truss bolts  
3/4" long



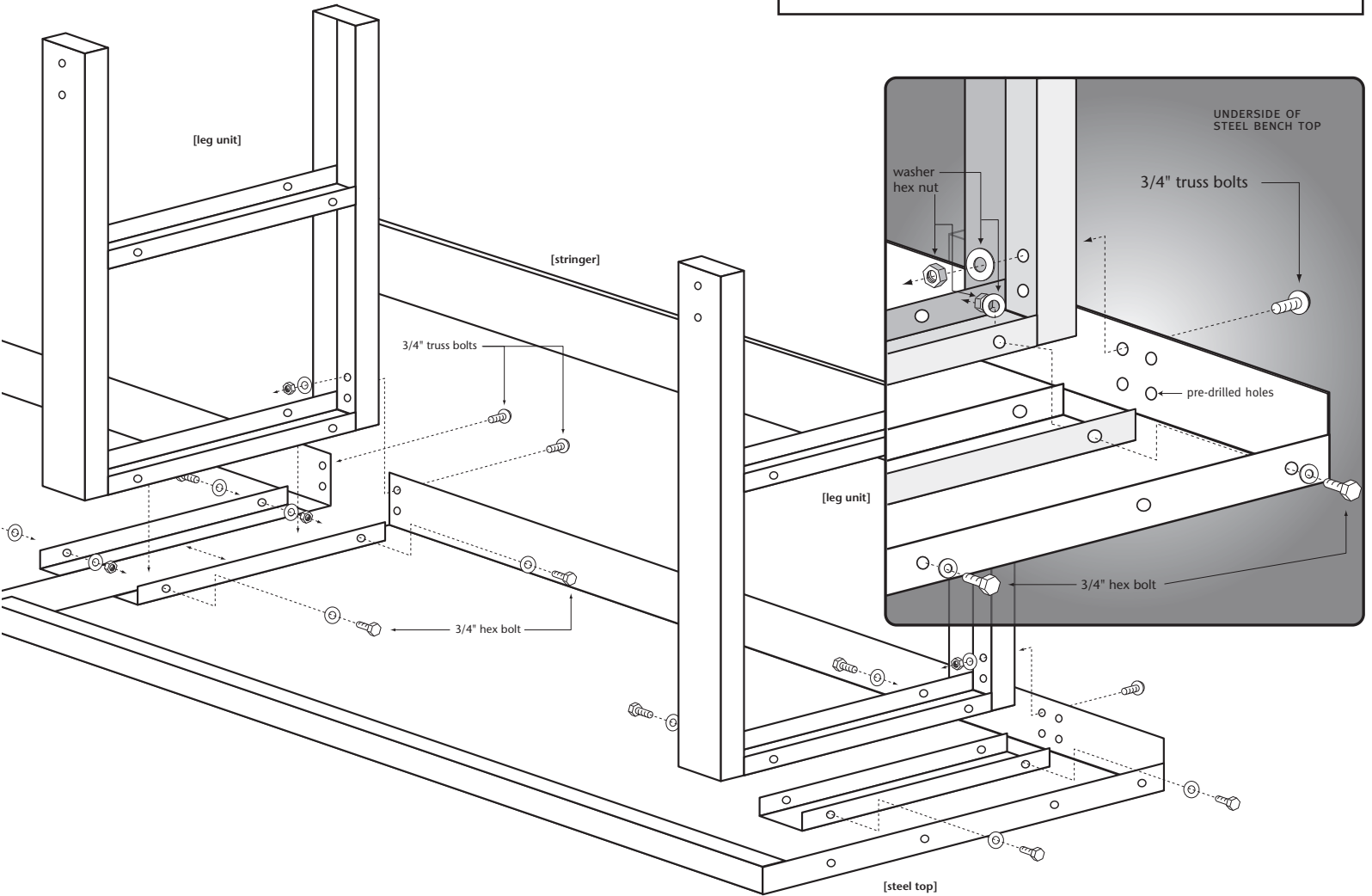
12 tap bolts  
3/4" long



26 washers



16 hex nuts



### MOUNTING LEGS TO STEEL TOPS:

Place bench top upside down on floor. Place leg unit in receiver as shown. Put tap bolts with washers thru holes in receiver and holes in leg unit. Repeat procedure for other leg. Tighten all bolts securely using washers and nuts provided.